

GO THE DISTANCE

Industrilas Vector™ T3
Central & Mechanical Locking



Industrilas
— When access counts —



HEAVY-DUTY WITH A SUPREME TOUCH

Industrilas Vector™ T3 is the latest addition to the Vector family. This stylish latch is designed for the end user, with a new level of touch, feel and tactile feedback. It is available in mechanical and central locking versions – making it ideal for everybody in the transportation industry.

Vector T3 provides a 4 mm compression and when the latch is locked, the T-bar is securely fastened in the closed position. This means there is no way to open the T-bar and break the seal of the door – without unlocking it.

You can use Vector T3 with fixed or adjustable roller cams, as well as 1-, 2- and 3-point latching systems. And like all Vector solutions, Vector T3 is vibration-resistant and sealed for water and dust.

To keep water and dirt away from the inside of your cabinet, and to make sure opening and closing is always smooth, we recommend combining the latch with proper sealing profiles and hinges. This will create a sustainable, robust and long-lasting solution.

**NO BUZZ, SQUEAK
OR RATTLE**

**DURABLE &
RELIABLE**

**VECTOR T3
IS HERE**

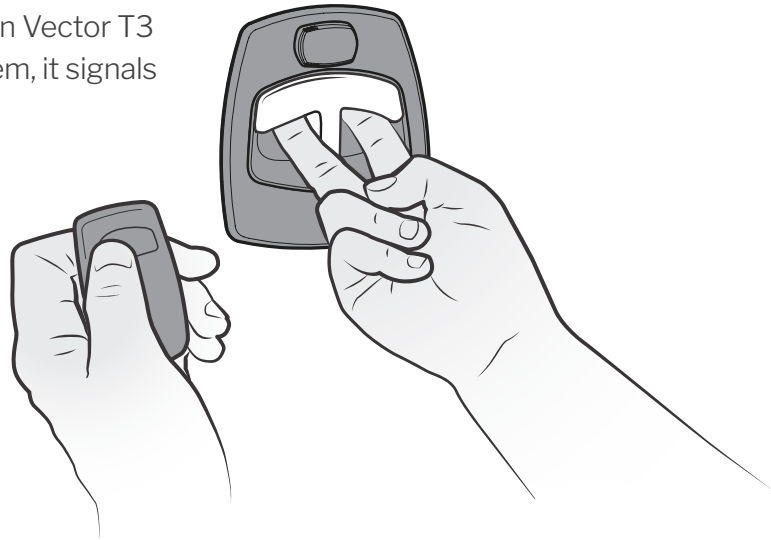


LOCKING & UNLOCKING

Vector T3 offers both central and mechanical locking options. The central locking version is adapted to both 12- and 24-volt systems and when you connect the latch to the electrical system, you can use the vehicle's existing key to lock and unlock the Vector T3 latches. When Vector T3 is connected to the vehicle's information system, it signals if the T-bar is open or closed and if the latch is locked or unlocked.

In case something goes wrong with the vehicle's electrical system, Vector T3's mechanical override cylinder makes sure you can always open the latch.

If you choose to go mechanical, the latch is available with keyed to differ and keyed alike cylinders. If you combine Vector T3 with other Vector solutions, you can have the same cylinder and key code for all the latches, and use the same key to open them all.





ENVIRONMENTAL & MECHANICAL CHALLENGES

VIBRATIONS	Terrain, bumps and debris
TEMPERATURES	Heat and cold
WATER, SALT, SNOW, ICE & DIRT	Sealing and corrosion

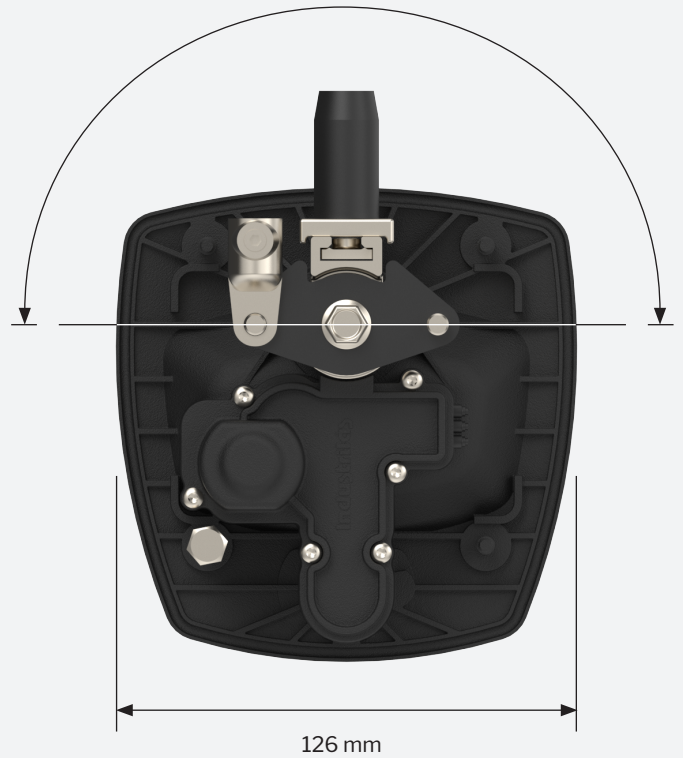
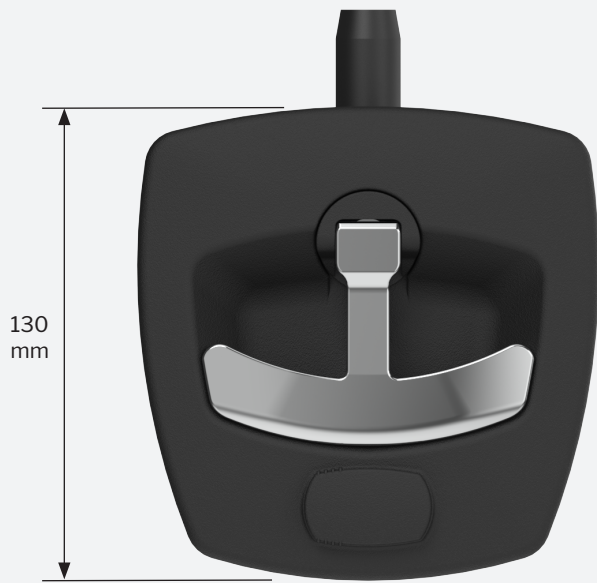
DESIGN & ENGINEERING FEATURES

VIBRATION-RESISTANT	According to DIN EN 61373
AUTOMOTIVE QUALITY	In accordance with IATF 16949
DURABLE	For reliably long use
SEALED	According to IP65
12- AND 24-VOLT SYSTEMS	Available in two versions
FAST & EASY TO INSTALL	Saves time
ROBUST & LIGHTWEIGHT	Top-class materials
CENTRAL LOCKING	Optional feature
GASKET COMPRESSION	For superior sealing
1, 2 & 3-POINT LATCHING	Versatile operation
SAME CUT-OUT FOR MECHANICAL & CENTRAL-LOCKING	Fast and easy installation
SAME CUT-OUT AS VECTOR T1	Easy to upgrade from Vector T1

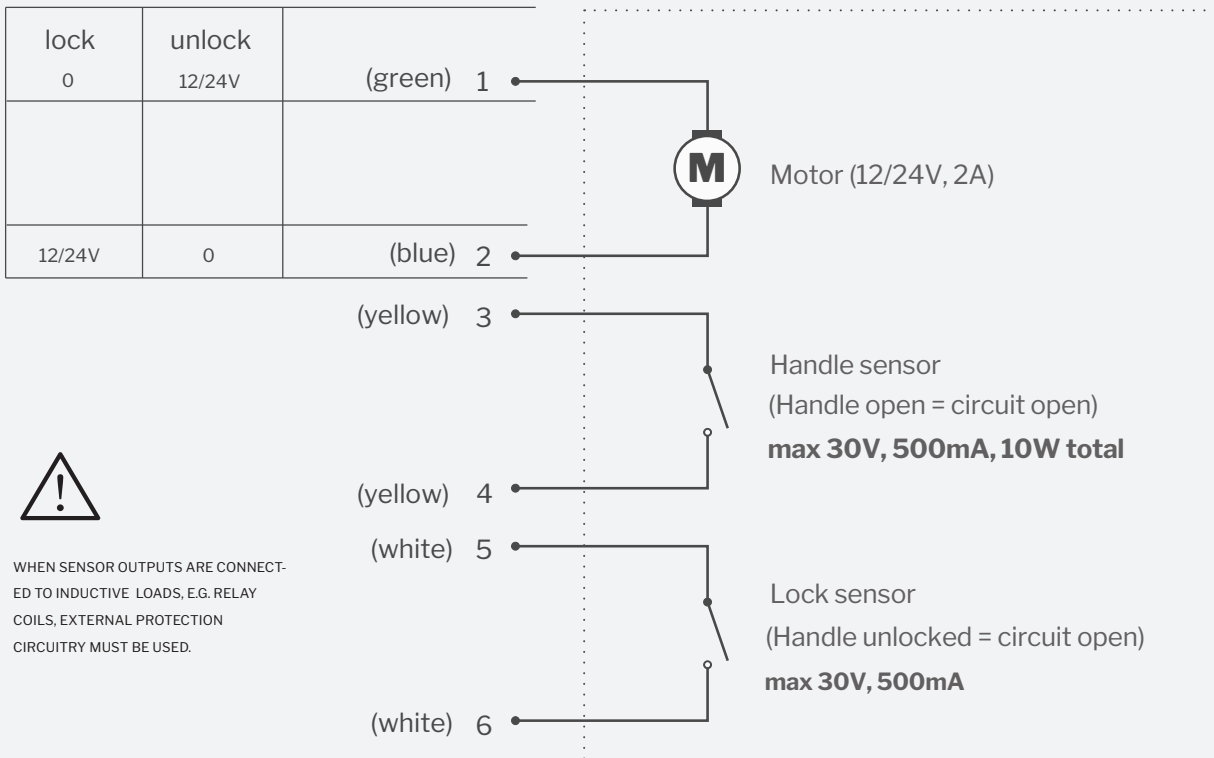
AESTHETIC & ERGONOMIC BENEFITS

STYLISH LOOK & FEEL	Timeless and easy to match
EXCEPTIONAL EASE OF USE	Ergonomic with tactile feedback
NO BUZZ, SQUEAK OR RATTLE (BSR)	Safe and sound
FLUSH-MOUNTED DESIGN	Aesthetic and functional

Rotation 180°



LOCK/UNLOCK IMPULSE LENGTH 0.3-1.0S



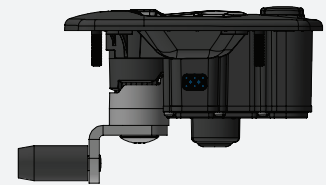
DIMENSIONS & SPECIFICATIONS

TECHNICAL SPECIFICATIONS

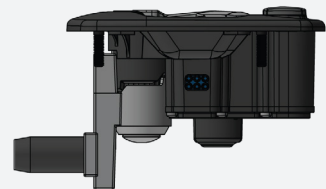
OPERATION VOLTAGE	2 models. 12 or 24V DC \pm 10%
SUPPLY CURRENT (LOCK/UNLOCK OPERATION)	max 2A
HANDLE STATUS SENSOR	max 30V, 500mA, 10W total
LOCK STATUS SENSOR	max 30V, 500mA
EMC STANDARDS	UN ECE R10
OPERATING TEMPERATURE	-15 to +55 °C
OPERATING CYCLES	min 15,000 cycles
MAXIMUM TIGHTENING TORQUE (4 NUTS, M5)	2,2 Nm

MATERIALS

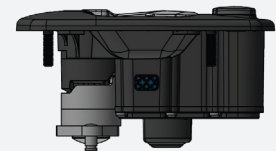
ADJUSTABLE CAM	Zinc die cast, passivated
BODY	Glass fibre reinforced polyamide (PA6GF30)
CAST-IN BOLTS	Steel, black passivated
CYLINDER	Zinc die cast, stainless steel 304 cap and dust shutter
DUST COVER, BLACK	Glass fibre reinforced polyamide (PA6GF30)
HANDLE	Stainless steel 304, polished or zinc die cast, black texture powder coated
ROLLER	Glass fibre reinforced polyamide (PA6GF30)
ROTATING LOCKING DEVICE	Stainless steel 303
SHAFT	Steel, zinc plated or stainless steel 303



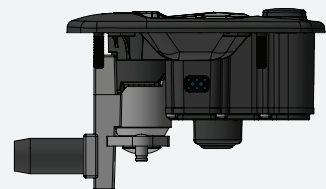
FIXED 1-POINT CAM



ADJUSTABLE 1-POINT CAM



FIXED 2-POINT CAM



ADJUSTABLE 3-POINT CAM



PASSIONATE

ABOUT FINDING SOLUTIONS

Industrilas develops, designs and manufactures access solutions for all kinds of industrial applications. Our main drive is a never-ending curiosity about our customers and their business. We are passionate about finding solutions that will enhance the performance of our customers' products and their business.

Since every customer has specific needs and preferences, it is important for us to get to know our customers. We openly welcome you into the Industrilas family, and together we will find the best possible solution to the challenges you are facing. Sometimes this means a well-proven standard solution and at other times it means the innovation of something the world has never seen.

Industrilas is a Swedish company, founded in 1981. Over the course of 40 years, we have grown from a one-person startup to become one of the world's leading suppliers of access solutions. Today, we are present in more than 40 countries and have manufacturing sites in Europe, Asia and Central America.

The group's head office is in Nässjö, Sweden.